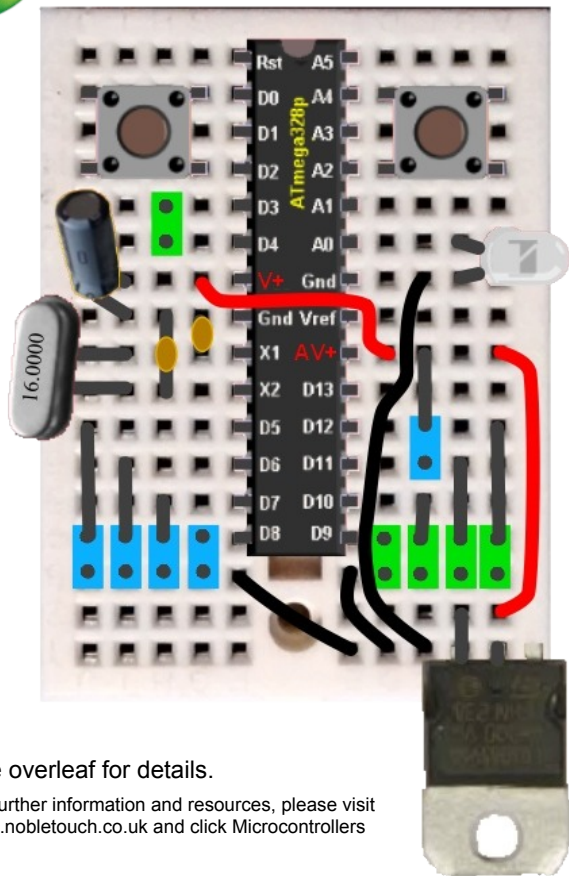


Kit Computer



See overleaf for details.

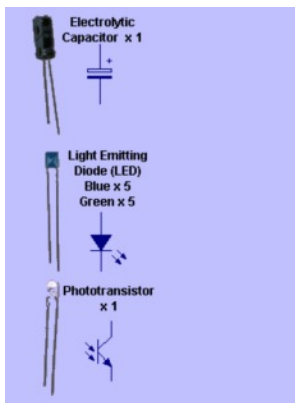
For further information and resources, please visit www.nobletouch.co.uk and click Microcontrollers

Kit Computer Components



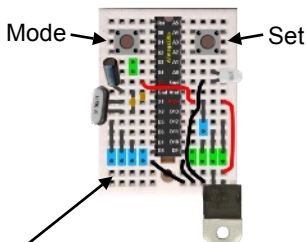
The components illustrated below have one leg longer than the other to indicate polarity.

These components must be inserted with the shorter leg nearest this end of the breadboard.



Program Modes

Press and hold the Mode button until the LEDs flash to show the number of the selected mode.



Mode	Program	
1	Random	
2	Stepping	
3	Additive	
4	Controlled Step	Press Set to advance
5	Light Meter	Press Set to calibrate
6	Temperature	Press Set to calibrate

Battery connector and Voltage Regulator

Connect as shown in the illustrations

